



## Combiester

**ABS | Polycarbonate | Polyester | Aluminium**  
**Inoxpol | Minipol | Maxipol**



## ■ DEGREE OF PROTECTION

### ■ GENERAL MATERIALS DEGREE OF PROTECTION ENCLOSURE SERIES APPLICATION & REFERENCES

	PC	ABS	GRP	AL	SS, AISI 304	Combiester	Painted mild steel
Outdoor use	****	*	*****	****	*****	*****	****
Indoor use	*****	*****	*****	*****	*****	*****	*****
Cost	****	*****	**	***	*	****	**
Light weight	*****	*****	**	*	*	*****	*
High rigidity	***	**	****	****	*****	****	*****
Impact resistance	****	**	****	****	*****	****	*****
UV radiation resistance	****	*	****	*****	*****	****	*****
Temperature resistance range	****	**	****	****	****	****	****
Easiness to machine	*****	*****	*	*	*	*****	**
Insultaion properties	*****	*****	****	N/A	N/A	*****	N/A
Fire resistance	****	*	*	****	*****	***	*****
Resistance against solvents	*	*	*****	*****	*****	*****	*
Resistance against petrol	**	*	*****	*****	*****	*****	*
Resistance against hydraulic oil	*****	*****	*****	*****	*****	*****	**
Resistance against alcohols	****	***	****	*****	*****	****	**
Resistance against alkalis	**	*****	****	*	*****	***	*
Resistance against acids	***	**	***	*	****	***	*

PC = polycarbonate

ABS = acrylonitrile butadiene styrene

GRP = glass-fibre reinforced polyester

AL = polyester powder coated AISI cast aluminium

SS = stainless steel

\*\*\*\*\* excellent

\*\*\*\*/\*\*\* good

\*\* fair

\* poor

N/A = no information available

### ■ IP and IK Classifications

Example IP 67			
no protection	0	0	no protection
protected against solid objects over 50 mm e.g. accidental touch by hands	1	1	protected against vertically falling drops of water
protected against solid objects over 12 mm e.g. fingers	2	2	rotected against direct sprays of water up to 15 ° from the vertical
protected against solid objects over 2,5 mm (tools + small wires)	3	3	protected against sprays to 60° from the vertical
protected against solid objects over 1 mm (tools + small wires)	4	4	protected against water sprayed from all directions – limited ingress permitted
protected against dust – limited ingress permitted (no harmful deposit.)	5	5	protected agains low pressure jets of water from all directions - limited ingress permitted
totally protected against dust	6	6	protected against strong jets of water e.g for use on shipdecks - limited ingress permitted
		7	protected against the affects of immersion between 15 cm and 1 m
		8	protected against long periods of immersion under pressure



## COMBIESTER System

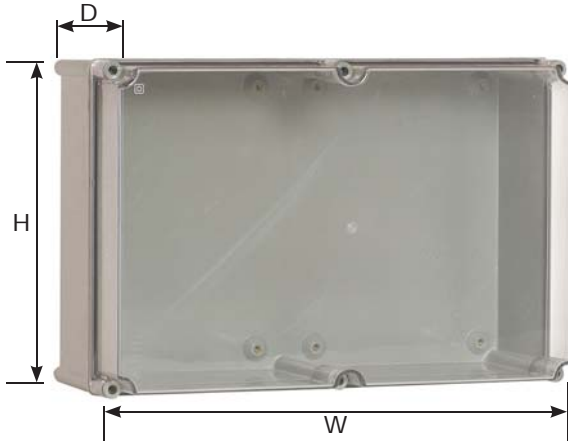
- High Impact Resistance boxes, moulded from GPR (glass-fibre reinforced polyester) with easy mechanization, no special tools required.

The range is composed of several enclosures with modular dimensions which, with the use of suitable accessories, can be adapted to many different uses: from single-box equipment to a complete panel-board.

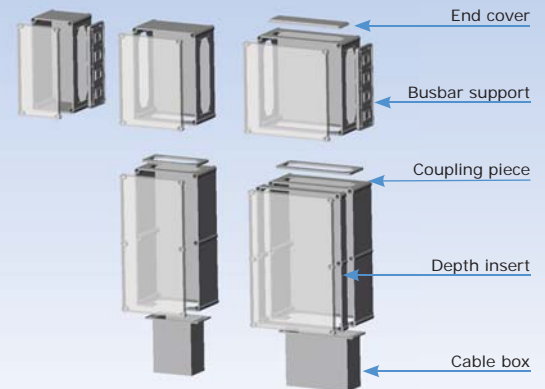
### TECHNICAL FEATURES

Glass fibre reinforced polyester	
Colour	RAL7035
Degree of protection	IP66 individual boxes, IP55 in cabinets IEC 60529
Impact resistance	10 Joules (IK09) - IEC 62262
Operating temperate	-50 °C up to +150 °C
Double insulation	Excellent protection against contacts IEC 60439-1
Thermal class	Up 120 °C - IEC 60085
Self-extinguishable	960° glow wire toot - IEC 60695-2-10
Weather proof	Resistant to climate changes
Halogen free	yes
Approvals and certifications	UL, CSA, CE

### BOXES



## COMBIESTER System



Dimensions (mm) External			Polyester box & transparent smoked tinted cover	Polyester box & transparent polycarbonate cover	Polyester box & opaque polycarbonate cover	Polyester box & opaque polyester cover
H	W	D	Type	Type	Type	Type
270	180	141	E2718LF	E2718L	E2718LO	-
270	180	171	E2718F	E2718	E2718O	E2718UP
270	270	171	E2727F	E2727	E2727O	E2727UP
270	360	171	E2736F	E2736	E2736O	E2736UP
270	360	201	E2736HF	E2736H	E2736HO	-
360	180	171	E3618F	E3618	E3618O	-
360	360	171	E3636F	E3636	E3636O	-
360	360	201	E3636HF	E3636H	E3636HO	-
540	270	171	E5427F	E5427	E54327O	E5427UP
540	270	201	E5427HF	E5427H	E5427HO	-
540	360	171	E5436F	E5436	E5436O	-
540	360	201	E5436HF	E5436H	E5436HO	E5436UP
540	540	171	E5454F	E5454	E5454O	-
540	540	201	E5454HF	E5454H	E5454HO	-
720	360	201	E7236HF	E7236H	E7236HO	-
720	540	201	E7254HF	E7254H	E7254HO	-



# COMBIESTER System



## MOUNTING PLATES

Dimensions	Polyester	Metal
270 x 180	KGP432	KGM432
270 x 270	KGP433	KGM433
270 x 360	KGP434	KGM434
360 x 180	KGP442	KGM442
360 x 360	KGP444	KGM444
540 x 270	KGP463	KGM463
540 x 360	KGP464	KGM464
540 x 540	KGP466	KGM466
720 x 360	KGP484	KGM484
720 x 540	KGP486	KGM486

## CABLE ENTRY

Type 3 opening	
closed	E403
1 x M60	E403 / 160
2 x M60	E403 / 260
Type 4 opening	
closed	E404
1 x M60	E404 / 160

## INCREASING DEPTH FLANGES

Increasing depth of boxes, between base and cover	
540 x 270 x 62	KR463
540 x 360 x 62	KR464
540 x 540 x 125	KR466
360 x 270 x 62	KR434
360 x 360 x 62	KR444

## VALVE

For air circulation inside enclosure to avoid condensation		
Vent valve - smal	DV	(ø 19 mm drill)
Vent valve - large	DVG	(ø 29 mm drill)
Drain valve	DP	

## MANUAL AND SCREWDRIVER OPERATION

Manual Operation		
Grey	Y400 H-4	RAL7035
Blue	Y400 H-4	RAL5003
Screwdriver Operation		
Grey	Y400 S-4	RAL7035
Blue	Y400 S-4	RAL5003
Grey	Y400 S-6	RAL7035
Blue	Y400 S-6	RAL5003

## HINGE SET

Hinge set, between box and cover	
Hinge set (2 pcs/set)	KK
Hinged cover screws	KI

## WALL MOUNTING BRACKETS

Metal wall brackets	
4 metal wall brackets	OF400

## POSSIBLE STANDARD OPENINGS FOR EACH BOX

Dimensions	Height	Per Side	Per Side
270 x 180	141/171	1 x No. 3	1 x No. 2
270 x 270	171	1 x No. 3	1 x No. 3
270 x 360	171/201	1 x No. 3	1 x No. 4, or 2 x No. 2
360 x 180	171	1 x No. 4, or 2 x No. 2	1 x No. 2
360 x 360	171/201	1 x No. 4, or 2 x No. 2	1 x No. 4, or 2 x No. 2
540 x 270	171/201	2 x No. 3	1 x No. 3
540 x 360	171/201	1 x No. 4, or 2 x No. 2	1 x No. 4, or 2 x No. 2
540 x 540	171/201	2 x No. 3	2 x No. 3
720 x 360	201	2 x No. 4, or 4 x No. 2	1 x No. 4, or 2 x No. 2
720 x 540	201	2 x No. 4, or 4 x No. 2	2 x No. 3

## COVERS

End cover, inside assembly, including screws	
Opening	Type
size 2	U402
size 3	U403
size 4	U404

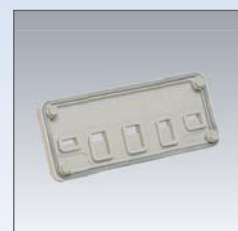
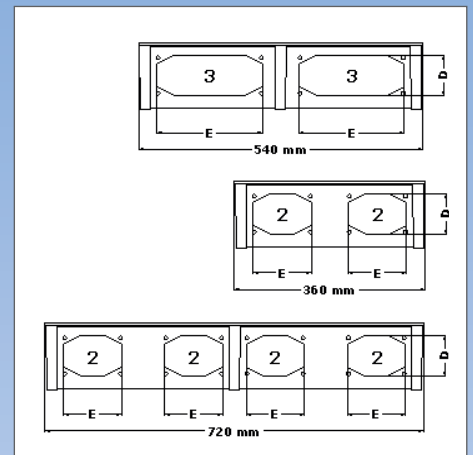
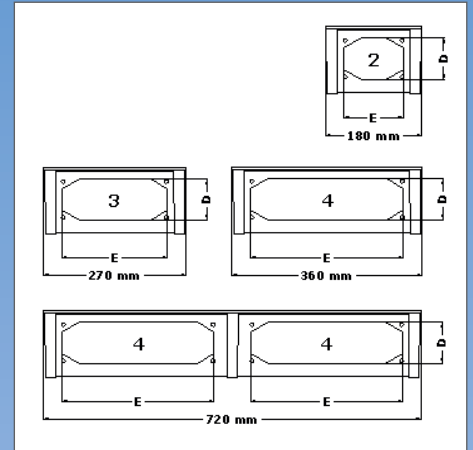
## ACCESSORIES

Coupling flange	
Opening	Type
size 2	U420
size 3	U430
size 4	U440

Busbar support (at the end, you can assembly an End cover)		
Type	Opening	Ampere
R430/4	15 x 4 mm	250 A
R430/8	15 x 8 mm	400 A
R430/16	15 x 16 mm	630 A
R430/24	15 x 24 mm	800 A

The knock-out(s) can be made on request.  
The standard opening can be done easily with a handdrill.

# COMBIESTER System



# ABS POLYCARBONATE POLYESTER



## ■ ABS-Enclosure

ABS-Enclosures are excellent for the protection of electronic and electrical components as well as complete control systems. They are easy to machine and can be configured variably for our customers with screen-printing.

The fastening screws are situated outside the seal range. The neoprene lid seal is resistant against oil and petroleum. EMV version with copper conductive varnish and conductive lid seal are available.

## ■ Polycarbonate Enclosure MBM

Polycarbonate Enclosures offer excellent characteristics for the protection of electronic and electrical components as well as complete control systems, even with extreme outside weather conditions and resistance against UV. They are easy to machine and can be configured variably for our customers with screen-printing.

The fastening screws are situated outside the seal range. The neoprene lid seal is resistant against oil and petroleum. EMV version with copper conductive varnish and conductive lid seal are available.

## ■ Polyester-Enclosures MBP

Polyester-Enclosures suitable for high standards of machine constructions shipbuilding, electroplating and petrochemical industries. The material has a good resistance against most solvents, acids, etc, fibre-glass strengthened Polyester is difficult to ignite and is self-extinguishing.

They are preferably used as clamp enclosures and as control enclosures in chemically aggressive surroundings such as Refineries or in road tunnels.

Temperature resistant with Neoprene seal: - 40 °C to + 110 °C  
Temperature resistant with Silicone seal: - 50 °C to + 140 °C

The fastening screws are situated outside the seal range. The neoprene lid seal is resistant against oil and petroleum. Special seals such as silicone are available when requested.

## ■ TECHNICAL FEATURES

	ABS	Polycarbonate	Polyester
Degree of protection DIN40050	IP65	IP65	IP66
Colour	RAL7035	RAL7035	RAL7035
Impact resistance	IK07/IK06	IK07	IK08
Operating temperature	-40 °C up to +80 °C	-40 °C up to +110 °C	-40 °C up to +110 °C
Cover gasket	Neoprene	Neoprene	Neoprene/Silikon
Halogen free	yes	yes	yes

- Captive screws made of stainless steel, non-loosable
- Special printings on request
- Accessories: Wall plates, mounting plates and further accessories are deliverable

# ABS POLYCARBONATE POLYESTER

## ABS & PC ENCLOSURES

Dimensions (mm)			TYPE	TYPE	TYPE
H	W	D	ABS GREY	PC GREY	PC TRANSPARENT COVER
82	80	85	KNABS 080809	KNPC 080809	KNPCK 080809
120	80	85	KNABS 128085	KNPC 128085	KNPCK 128085
160	80	85	KNABS 168085	KNPC 168085	KNPCK 168085
122	120	85	KNABS 121285	KNPC 121285	KNPCK 121285
160	120	90	KNABS 161290	KNPC 161290	KNPCK 161290
200	150	75	KNABS 201575	KNPC 201575	KNPCK 201575
240	120	100	KNABS 241210	KNPC 241210	KNPCK 241210
240	160	120	KNABS 241612	KNPC 241612	KNPCK 241612
300	230	110	KNABS 302311	KNPC 302311	KNPCK 302311

## MOUNTING PLATES

Dimensions	for box	TYPE
82	80	KNM 0808
120	80	KNM 1280
160	80	KNM 1680
122	120	KNM 1212
160	120	KNM 1612
200	150	KNM 2015
240	120	KNM 2412
240	160	KNM 2416
300	230	KNM 3023

## POLYESTER ENCLOSURES

Dimensions (mm)			Type
H	W	D	Type
80	75	75	KNP 807575
110	75	75	KNP 117575
160	75	75	KNP 167575
190	75	75	KNP 197575
230	75	75	KNP 237575
122	120	90	KNP 121290
220	120	90	KNP 221290
160	160	90	KNP 161690
260	160	90	KNP 261690
400	250	120	KNP 402512

## MOUNTING PLATES

Dimensions	for box	TYPE
80	75	KNMM 8075
110	75	KNMM 1175
160	75	KNMM 1675
190	75	KNMM 1975
122	120	KNMM 1212
220	120	KNMM 2212
160	160	KNMM 1616
260	160	KNMM 2616
400	250	KNMM 4025

Other dimensions available on request





■ **MODULAR KNBOX IN THERMOPLASTIC**  
**small to medium sizes**  
 sizes 75x125x35 mm to 175X250X150 mm

The modular KNBOX is a series of small to medium sized general purpose enclosures made from thermoplastic: Polycarbonate or ABS

The enclosures are produced in standard RAL 7035 with the lids available in both grey or transparent options. The polycarbonate enclosures are available with prepressed knock-outs, Pg or metric.

The enclosures are also available with plain sides in ABS and with plain sides in polycarbonate for individual machining of holes. The base of this enclosure is equipped with unique slots for printed circuit boards.

Available accessories include: mounting plates, DIN rails, hinges and fastening lugs.



■ **MODULAR KNBOX IN THERMOPLASTIC**  
**medium to large size**  
 sizes 200x200x132 mm to 400X600X185 mm

The medium to large size KNBOX can be supplied with knock-outs or with plain sides. Standard colour is grey RAL 7035, grey or transparent lid options available. All enclosures are available with depth alternatives 130mm and 185mm.

All 130mm deep standard enclosures include base, lid, cover, screws and mounting screws.

All 185mm deep standard enclosures include base, extension frame, lid, cover, screws, mounting screws and extension frame screws.

Special features of the series makes it possible to mount the lid onto the side, through which plates and panels can be mounted at any height.

There is a wide range of accessories available. These include: mounting plates, DIN rails, modular covers, corner elevators and fastening lugs.



■ **TECHNICAL FEATURES**

	Polycarbonate	ABS
Degree of protection EN60529	IP66/67	IP66/67
Colour	RAL7035	RAL7035
Impact resistance EN 62262 (+35°C/ -25°C)	IK08/IK08	IK07/IK06
Operating temperature	-50 °C up to +100 °C	-40 °C up to +60 °C
Flammability UL746C	5V/-	not tested
Transparent lid	polycarbonate	polycarbonate
Cover gasket	PUR(polyurethane)	PUR(polyurethane)
Cover screws	polyamide	polyamide
Halogen free	yes	yes
Certificates	FI/GL/UL/cUL/GOST	FI/GL/GOST



## MODULAR KNBOX IN THERMOPLASTIC

Dimensions (mm)			Polycarbonate - grey lid	Polycarbonate - transparent lid	Polycarbonate - grey lid	Polycarbonate - transparent lid
H	W	D	plain sides	plain sides	metric knock-outs	metric knock-outs
125	75	100	KNBOX SPCP081310G	KNBOX SPCP081310T	KNBOX SPCM081310G	KNBOX SPCM081310T
125	125	100	KNBOX SPCP131310G	KNBOX SPCP131310T	KNBOX SPCM131310G	KNBOX SPCM131310T
175	125	100	KNBOX SPCP131810G	KNBOX SPCP131810T	KNBOX SPCM131810G	KNBOX SPCM131810T
175	125	125	KNBOX SPCP131813G	KNBOX SPCP131813T	KNBOX SPCM131813G	KNBOX SPCM131813T
175	175	125	KNBOX SPCP181813G	KNBOX SPCP181813T	KNBOX SPCM181813G	KNBOX SPCM181813T
250	175	150	KNBOX SPCP182515G	KNBOX SPCP182515T	KNBOX SPCM182515G	KNBOX SPCM182515T

Knock-outs also available in PG / Also available in ABS, without knock-outs

MOUNTING PLATES - 1,5MM (galvanized)		
H	W	TYPE
125	75	SMP0813
125	125	SMP1313
175	125	SMP1318
175	175	SMP1818
250	175	SMP1825

Dimensions (mm)			Polycarbonate - grey lid	Polycarbonate - transparent lid	Polycarbonate - grey lid	Polycarbonate - transparent lid
H	W	D	plain sides	plain sides	metric knock-outs	metric knock-outs
200	200	182	KNBOX OPCP202018G	KNBOX OPCP202018T	-	-
300	200	182	KNBOX OPCP203018G	KNBOX OPCP203018T	-	-
400	200	182	KNBOX OPCP204018G	KNBOX OPCP204018T	-	-
300	300	182	KNBOX OPCP303018G	KNBOX OPCP303018T	KNBOX OPCM303018G	KNBOX OPCM303018T
400	300	182	KNBOX OPCP304018G	KNBOX OPCP304018T	KNBOX OPCM304018G	KNBOX OPCM304018T
600	300	182	KNBOX OPCP306018G	KNBOX OPCP306018T	KNBOX OPCM306018G	KNBOX OPCM306018T
600	400	182	KNBOX OPCP406018G	KNBOX OPCP406018T	-	-

Knock-outs also available in PG / Also available with a depth of 132 without frame extension / Also available in ABS, without knock-outs

MOUNTING PLATES - 1,5MM (galvanized)		
H	W	TYPE
200	200	OMP2020
300	200	OMP2030
400	200	OMP2040
300	300	OMP3030
400	300	OMP3040
600	300	OMP3060
600	400	OMP4060

## ACCESSORIES

Product code	Description	Dimensions (mm)
DSH11	Hinge, pair, polycarbonate	28 x 28
SFL1	Fastening lug, set of 4 pcs. polycarbonate	15 x 30
SLS35	Cover screw, medium	11 x 35
SLW1	Cover screw's wing head part	11 x 17
	only for 25 and 50mm covers	
OHI1	Hinge pair, incl. mounting instruction	40 x 50 x 16.5
OFL1	Fastening lug, set of 4 pcs	19 x 40 x 35.5
OELA1.04	Corner elevator, set of 4 OEL1	20/26 x 14
OCP1	Cover plug, polyethylene	11 x ø15/17
OLS42	Slotted/cross head, sealable	14 x 42
OLSH1	Hinged cover screw, slot/cross head, blue, polyamide	14 x 96
OLW55	Wing head	14 x 55
SBI1	Brass insert for mounting pod M2	

Other dimensions available on request



## ■ INOXPOL System

### ■ STAINLESS STEEL BOXES - AISI 304

This range of stainless steel enclosures offers your the possibility to solve efficiently installations in difficult, hostile, corrosive environments and those which require strict hygienic conditions.

They are suitable for chemical, petrochemical, agriculture and food industries etc.

- Inner hinges, 120° door opening
- Fastening square, DIN track assembling
- Doors with PUR polyurethane watertight seal
- Cable entry
- Resistant to most chemical agents
- Ecologic material

### ■ TECHNICAL FEATURES

Stainless steel - AISI 304	
Degree of protection	IP66 according to IEC 60529, with ventilation opening IP 43 according to IEC 60529
Impact resistance	IK10 20J according to IEC62262
Thermal class	E 150 °C according to IEC60085
Approvals and certifications	UL, CSA, CE

## ■ Aluminium-Enclosures MBA

### ■ PROTECTION CLASS IP 66

Aluminium-Enclosures are universal and ideal for the protection of electrical, electronic and pneumatic components. They are sturdy but can be easily mechanically machined. We provide a printing service to print on the units in small quantities.

This system is modular and can easily be fitted together. Ideal as junction boxes for cables and wires and to protect sensitive electronics against water, dirt and dust.

They are frequently used as enclosures for voltage sensors for measurement and control. Production is carried out in pressure casting or die-casting. The wall mounting brackets are fitted externally using separate mounting grooves.

The Neoprene lid seal is resistant against oil and petroleum, special seals such as silicone are available on demand.

Temperature range with Neoprene seal: - 40 °C up to + 110 °C  
 Temperature range with Silicone seal: - 50 °C up to + 140 °C

EMV specification with lacquer free spring groove system and conductive lid seal are available.

Accessories: wall plates, mounting plates and other accessories also available.

### ■ TECHNICAL FEATURES

Aluminium	
Colour	RAL7001
Degree of protection	IP66 according to IEC 60529
Impact resistance	IK08
Operating temperature	-4 °C up to +110 °C



INOXPOL ENCLOSURES - STAINLESS STEEL AISI AISI 304

Dimension(mm)			Stainless Steel AISI 304
H	W	D	Type
300	250	140	INP-325
400	300	200	INP-43
400	400	200	INP-44
500	400	200	INP-54
600	400	230	INP-64
600	500	230	INP-65
700	500	250	INP-75
800	600	300	INP-86
1000	800	300	INP-108

MOUNTING PLATE & COVER

Enclosure	Galvanized mounting plate	Stainless steel cover AISI 304
Type	Artikelno.	Artikelno.
INP-325	PBMG-0325	-
INP-43	PBMG-043	-
INP-44	PBMG-044	TE-44/54
INP-54	PBMG-054	TE-44/54
INP-64	PBMG-064	TE-64
INP-65	PBMG-065	TE-65/75
INP-75	PBMG-07501	TE-65/75
INP-86	PBMG-08601	TE-86
INP-108	PBMG-10801	-

WALL MOUNTING

for all enclosures	Artikelno.
4 metal wall brackets	OFX

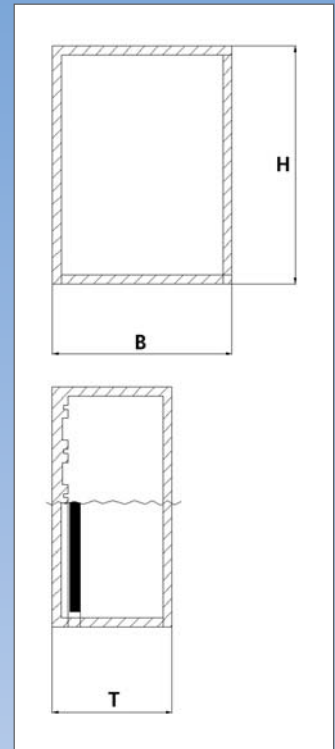
ALUMINIUM ENCLOSURES

Dimensions (mm)			Type
H	W	D	Type
75	80	57	KNA 708055
125	80	125	KNA 128012
122	120	90	KNA 121290
220	120	90	KNA 221290
160	160	90	KNA 161690
260	160	90	KNA 261690
280	230	110	KNA 282311
400	230	110	KNA 402311

Other dimensions available on request

**INOXPOL**  
*System*

**ALUMINIUM**



# MINIPOL System



## ■ MINIPOL System

- AN INSULATED ENCLOSURE SYSTEM FOR A COMPLETE RANGE OF DISTRIBUTION, REGULATION AND CONTROL APPLICATIONS.

A system of cabinets made of hot moulded fibreglass reinforced polyester (GRP). The cabinets are halogen free. They can be used in all kinds of communication, electrical, pneumatical and hydraulical installations.

A one piece base provides optimal space and helps to increase the units resistance to impact.

180° door opening. Corrosion free.

The cabinets offer optimal security for humans and animals because of the double isolation characteristics of the material.

## ■ TECHNICAL FEATURES

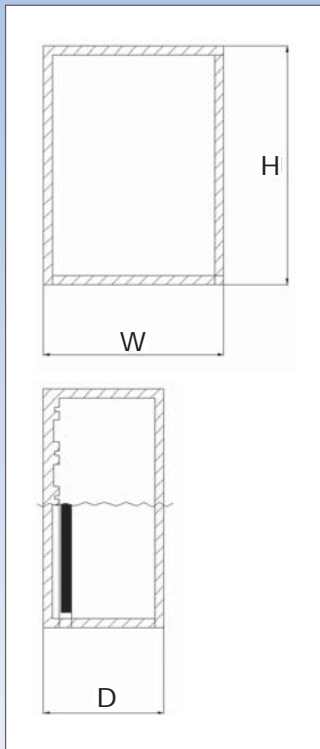
Hot moulded fibreglass reinforced polyester	
Colour	RAL7035
Degree of protection	IP66 individual boxes, IP in cabinets IEC 60529
Impact resistance	IK10 20J according to IEC 62262
Double insulation	According to IEC 60439-1
Thermal class	E 150 °C, according to IEC 60085
Self-extinguishable	960° according to IEC 60695-2-10
Weather proof	Resistant to climate changes
Halogen free	yes
Approvals and certifications	UL, CSA, CE

## ■ STANDARD LOCK 2X DOUBLE BIT DIN 3.0MM

Dimension (mm)			Grey cover	Transparent cover
H	W	D	Type	Type
300	250	140	MIP-325	MIP-325PT
400	300	200	MIP-43	MIP-43PT
400	400	200	MIP-44	MIP-44PT
500	400	200	MIP-54	MIP-54PT
600	400	230	MIP-64	MIP-64PT
600	500	230	MIP-65	MIP-65PT
800	600	300	MIP-86	MIP-86PT

## ■ THREE POINT CLOSING DEVICE WITH SWING HANDLE, 1X DOUBLE BIT DIN 3.0MM

Dimension (mm)			Grey cover	Transparent Cover
H	W	D	Type	Type
400	300	200	MIP-43/3p ekdin	MIP-43PT/3p ekdin
400	400	200	MIP-44/3p ekdin	MIP-44PT/3p ekdin
500	400	200	MIP-54/3p ekdin	MIP-54PT/3p ekdin
600	400	230	MIP-64/3p ekdin	MIP-64PT/3p ekdin
600	500	230	MIP-65/3p ekdin	MIP-65PT/3p ekdin
800	600	300	MIP-86/3p ekdin	MIP-86PT/3p ekdin



## BASEPLATES

Enclosure	Polyester base plate	Metal base plate
Type	Art.no.	Art.no.
MIP-325	PBP-325	PBMG-0325
MIP-43	PBP-43	PBMG-043
MIP-44	PBP-44	PBMG-044
MIP-54	PBP-54	PBMG-054
MIP-64	PBP-64	PBMG-064
MIP-65	PBP-65	PBMG-065
MIP-86	PBP-86	PBMG-086

## ACCESSORIES

Description	Type
Manual lock with key lock (2 keys)	PCM
Double bit DIN 3.0 mm	PDB
Triangular screw 11 mm.	PTT
Ventilation device	DV
Set of 4 adjustable brackets	POF
Wall fixing set	TF-MIP

## INTERIOR DOOR

The Minipol system offers you two types of door: grey and transparent Grey; permits the mounting of devices in the door. Transparent: combined with mountingplate, chassis and/or internal door permits you to see meters, devices, lamps, etc. maintaining the levels of IP and security.

Chassis for the fitting of modular devices	Type	NUMBER OF MODULES	NUMBER OF FILES
Made of a chassis, die cast plates and DIN	MIP-43/CH24	24	2 x 12
	MIP-44/CH36	36	2 x 18
	MIP-54/CH54	54	3 x 18
	MIP-64/CH54	54	3 x 18
	MIP-65/CH69	69	3 x 23
	MIP-86/CH116	116	4 x 29
	MIP-86/CH145	145	5 x 29



# MAXIPOL System



## ■ MAXIPOL System

- THIS VERSATIL RANGE OF MODULAR ENCLOSURES COMES IN TWO STANDARD DEPTHS.

The cabinets are available in 300 and 420 mm depths. The sizes range from a minimum of 500 x 500 mm, which can be extended in multiples of 250 mm.

A system of cabinets made of hot moulded fibreglass reinforced polyester (GRP), halogen free and can be used in all kinds of communication, electrical, pneumatical and hydraulical installations.

- The internal hinges allow the door to be opened 105°. The external hinges give a door opening angle of 180° and allow the door to be lifted off its hinges without the need for tools, but only when the door has been opened.
- Possibility to put doors on both sides. Plain, with relief lines, transparent or a polycarbonate transparent window. Hinges are usually fitted on the right but may also be fitted on the left on demand.

## ■ TECHNICAL FEATURES

	Hot moulded fibreglass reinforced polyester (GRP)
Colour	RAL7035
Degree of protection	IP55 according IEC 62262
Impact resistance	IK10 20J according IEC 62262
Double insulation	Excellent protection according IEC 60439-1
Thermal class	E 150 °C, according to IEC 60085
Self-extinguishable	960° according to IEC 60695-2-10
Weather proof	Resistant to climate changes
Halogen free	yes
Approvals and certifications	CE

## ■ WIDE RANGE OF ACCESSORIES



## TYPICAL COMBINATIONS

TYPE: CC

Cabinet with flat top. Closed bottom IP55.

Dimensions (mm)		300 Depth	420 Depth
H	W	Type	Type
500	500	MP-223CC	MP-224CC
500	750	MP-233CC	MP-234CC
750	500	MP-323CC	MP-324CC
750	750	MP-333CC	MP-334CC
750	1.000	MP-343CC	MP-344CC
1.000	500	MP-423CC	MP-424CC
1.000	750	MP-433CC	MP-434CC
1.000	1.000	MP-443CC	MP-444CC
1.250	500	MAP-523CC	MAP-524CC
1.250	750	MAP-533CC	MAP-534CC

Other dimensions available on request

TYPE: TVC

Cabinet with canopy roof. Closed bottom IP43. (IP55 on request)

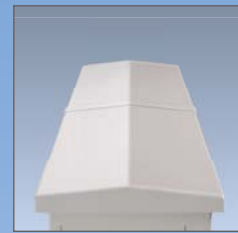
Dimensions (mm)		300 Depth	420 Depth
H	W	Type	Type
500	500	MP-223TVC	MP-224TVC
500	750	MP-233TVC	MP-234TVC
750	500	MP-323TVC	MP-324TVC
750	750	MP-333TVC	MP-334TVC
750	1.000	MP-343TVC	MP-344TVC
1.000	500	MP-423TVC	MP-424TVC
1.000	750	MP-433TVC	MP-434TVC
1.000	1.000	MP-443TVC	MP-444TVC
1.250	500	MAP-523TVC	MAP-524TVC
1.250	750	MAP-533TVC	MAP-534TVC

Other dimensions available on request

## BASE PLATES

Base plates	Polyester	Metal
Type	Article nr.	Article nr.
MP-223	PBP-22	PBM-22
MP-233	PBP-23	PBM-23
MP-323	PBP-32	PBM-32
MP-333	PBP-33	PBM-33
MP-343	PBP-34	PBM-34
MP-423	PBP-42	PBM-42
MP-433	PBP-43	PBM-43
MP-443	PBP-44	PBM-44
MAP-523	PBP-52	PBM-52
MAP-533	PBP-53	PBM-53

# MAXIPOL System





Kraus & Naimer B.V.  
Wegtersweg 38-40  
NL-7556 BR, Hengelo (O)  
T +31 (0)74 291 94 41  
F +31 (0)74 245 50 10  
E [info@kn-box.com](mailto:info@kn-box.com)  
I [www.kn-box.com](http://www.kn-box.com)